

ψ -Katugampola Fractional Derivatives and Integrals-Application to Mass-Spring Damper System

Ramazan OZARSLAN¹, Yadigar Sekerci², and Erdal BAS¹

¹Firat Universitesi

²Amasya University

May 29, 2020

Abstract

We propose a new type of generalized fractional derivatives with respect to (wrt) another function. These new generalized fractional derivatives generalize ψ -Caputo, Riemann-Liouville (R-L) wrt another function, Caputo Hadamard wrt another function, R-L Hadamard wrt another function, Caputo, R-L, Caputo Hadamard and R-L Hadamard fractional derivatives. We propose a newly modified Laplace transform for linear ψ -Katugampola fractional differential equations (FDEs). Properties of this newly generalized Laplace transform are analyzed. Cauchy problems and mass-spring damper system with ψ -Katugampola fractional derivative are solved analytically by means of modified Laplace transform. Finally, a new numerical method is proposed for nonlinear ψ -Katugampola FDEs.

Hosted file

ψ -Katugampola Fractional Derivatives and Integrals-Application to Mass-Spring Damper System.pdf available at <https://authorea.com/users/327906/articles/455299-psi-katugampola-fractional-derivatives-and-integrals-application-to-mass-spring-damper-system>

figures/fig1/fig1-eps-converted-to.pdf

figures/fig2/fig2-eps-converted-to.pdf

figures/fig3/fig3-eps-converted-to.pdf

figures/fig4/fig4-eps-converted-to.pdf

figures/fig5/fig5-eps-converted-to.pdf

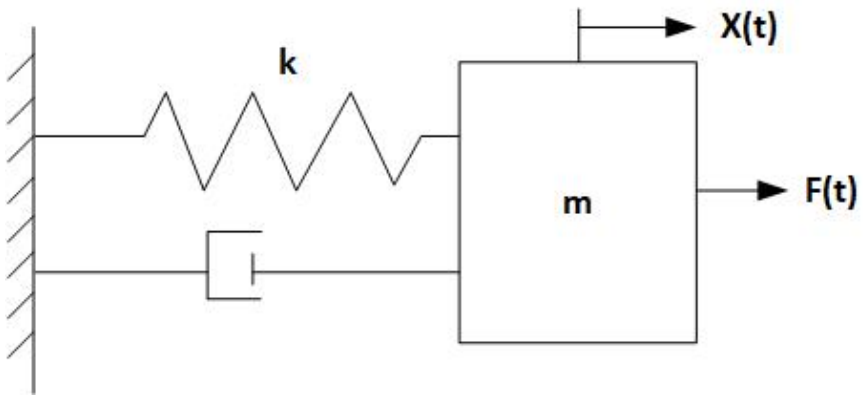
figures/fig6/fig6-eps-converted-to.pdf

figures/fig7/fig7-eps-converted-to.pdf

figures/fig8/fig8-eps-converted-to.pdf

figures/fig9/fig9-eps-converted-to.pdf

figures/fig10/fig10-eps-converted-to.pdf



figures/fig11/fig11-eps-converted-to.pdf

figures/fig13/fig13-eps-converted-to.pdf

figures/fig14/fig14-eps-converted-to.pdf

figures/fig15/fig15-eps-converted-to.pdf

figures/fig16/fig16-eps-converted-to.pdf

figures/fig17/fig17-eps-converted-to.pdf

figures/fig18/fig18-eps-converted-to.pdf

figures/fig19/fig19-eps-converted-to.pdf

figures/fig20/fig20-eps-converted-to.pdf

figures/fig21/fig21-eps-converted-to.pdf

figures/fig22/fig22-eps-converted-to.pdf

figures/fig23/fig23-eps-converted-to.pdf